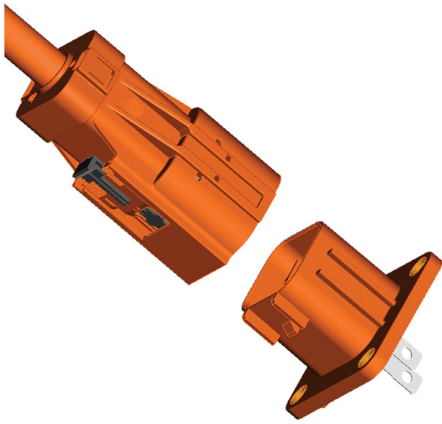


Introducing AMP+ Low-Medium Current Connectors and Headers

TE Connectivity's AMP+ touch-proof 2 position low-medium current connectors and headers are designed to meet AK 4.3.3, LV215-1 specifications. With a current carrying capability up to 40A* at 140°C and a 4-6mm² multicore wire range, the AMP+ connectors and headers can be used in many EV device applications. The package size is optimized with an integrated internal HVIL.



AMP+ Low-Medium Current Connectors and Headers



HVA 630 KEY FEATURES

- AK 4.3.3, LV215-1 and RoHS compliant
- 90° and 180° headers
- Touch-proof
- No tool required to unmate
- Current rating: Up to 40A* @ 140°C
- For use with multicore wire
- Integrated internal HVIL
- 2 position
- Multiple key options
- Sealed

TE Technical Support Center

USA:	+1 (800) 522-6752
Canada:	+1 (905) 475-6222
Mexico:	+52 (0) 55-1106-0800
Latin/S. America:	+54 (0) 11-4733-2200
Germany:	+49 (0) 6251-133-1999
UK:	+44 (0) 800-267666
France:	+33 (0) 1-3420-8686
Netherlands:	+31 (0) 73-6246-999
China:	+86 (0) 400-820-6015

te.com

© 2011 Tyco Electronics Corporation,
a TE Connectivity Ltd. Company. All Rights Reserved.
8-1773462-4 GAD TB 4M 10/2011

TE Connectivity, TE connectivity (logo) and AMP+ are trademarks. Other logos, product and/or company names might be trademarks of their respective owners.

APPLICATIONS

- Auxiliary devices

MECHANICAL

- Terminal: 6.3mm MCP
- Wire range: 4-6mm² multicore wire
- Latching Style: No tool required
- HVIL: Integrated, internal

ELECTRICAL

- Voltage rating: 1000V
- Current rating: Up to 40A* @ 140°C
- Temperature range: -40°C to 140°C
- Shielding: 360° from wire to device
- IP rating: Mated: IP67, IP6k9k
Unmated: IP2xb

STANDARDS AND SPECIFICATIONS

- AK 4.3.3
- LV215-1
- RoHS



While TE has made every reasonable effort to ensure the accuracy of the information in this brochure, TE does not guarantee that it is error-free, nor does TE make any other representation, warranty or guarantee that the information is accurate, correct, reliable or current. TE reserves the right to make any adjustments to the information contained herein at any time without notice. TE expressly disclaims all implied warranties regarding the information contained herein, including, but not limited to, any implied warranties of merchantability or fitness for a particular purpose. The dimensions in this catalog are for reference purposes only and are subject to change without notice. Specifications are subject to change without notice. Consult TE for the latest dimensions and design specifications.

* Verification test pending